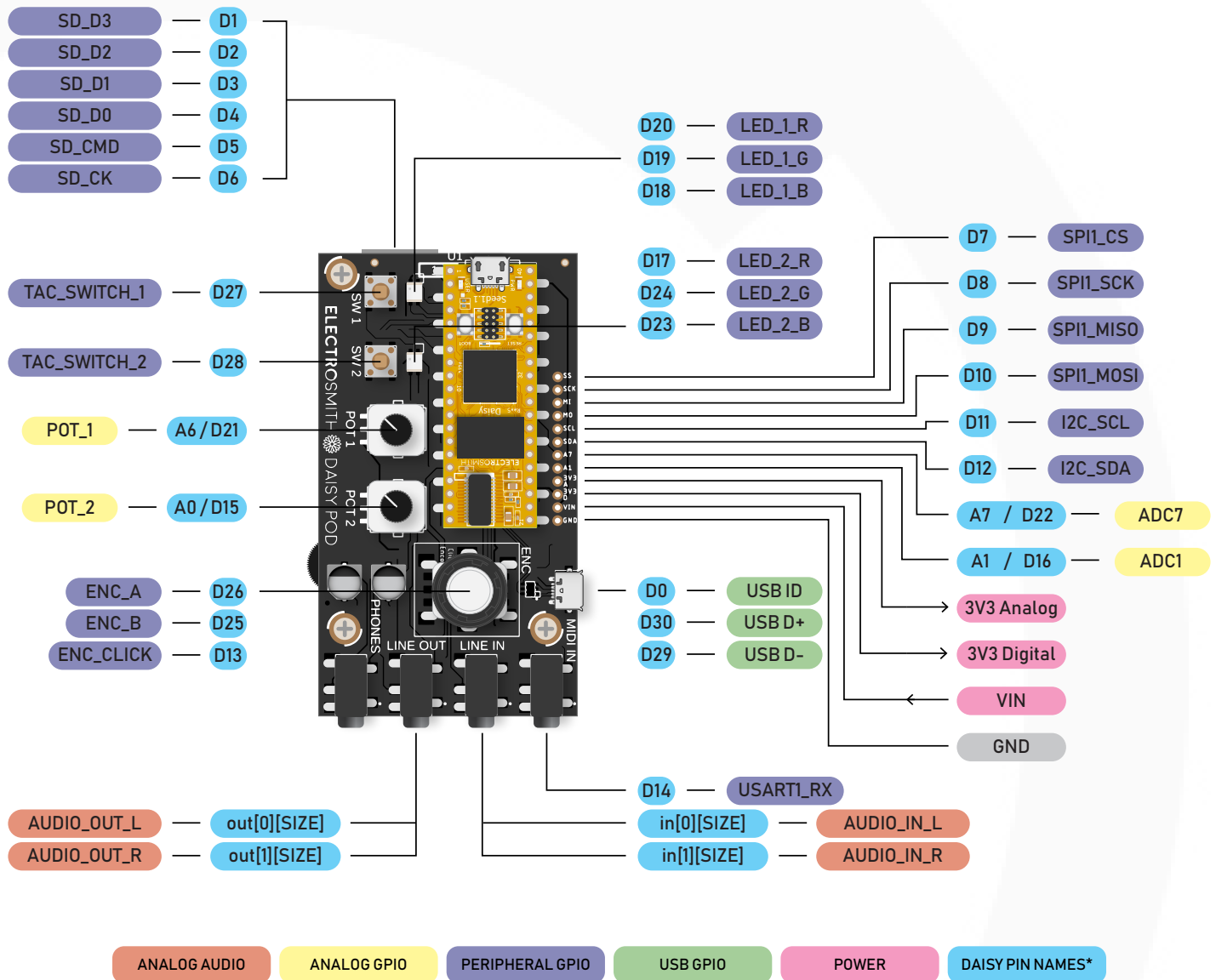




Pod Pinout



* "D" for Digital GPIO or "A" for Analog I/O, depending on use case.